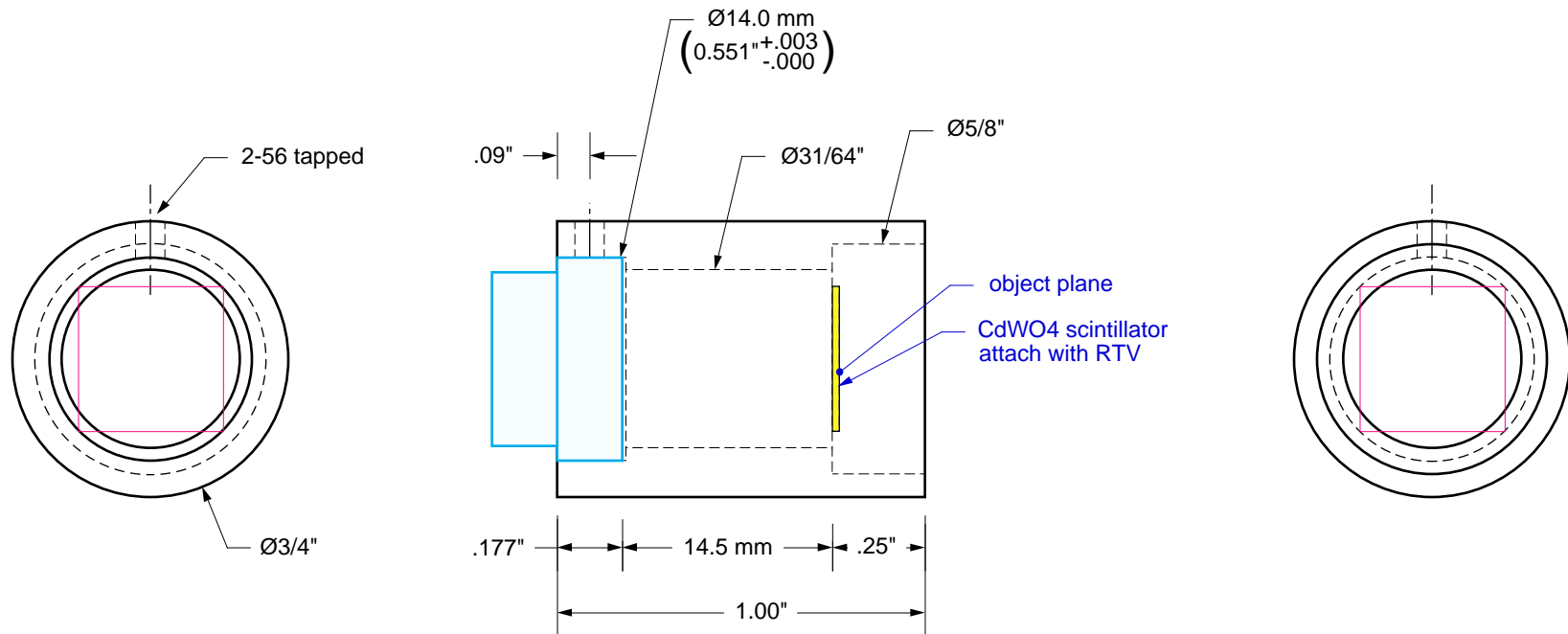


①

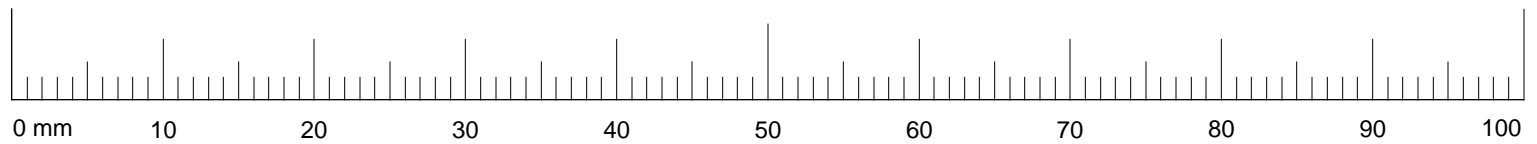
CCD Camera
F53,004
pg. 171
\$286

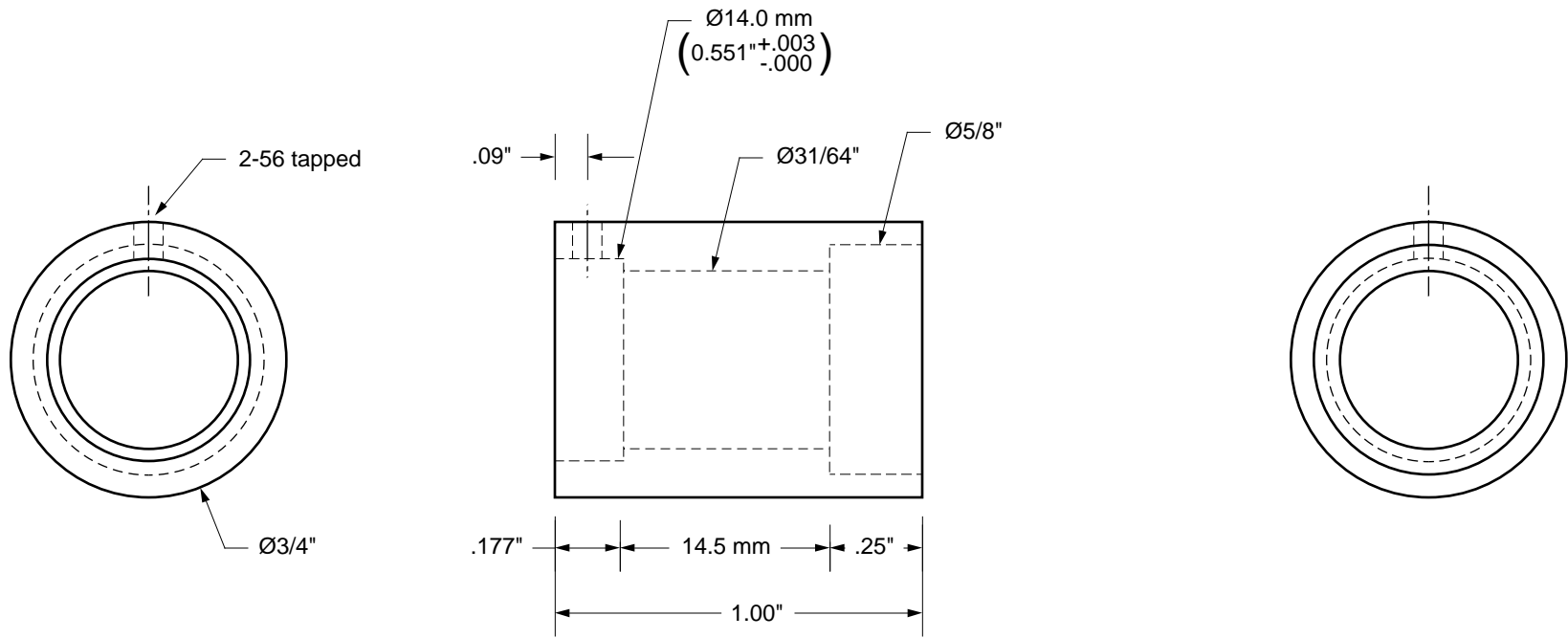
②

Scintillator
Bicron CdWO4
7.9 g/cm³
10x10x0.5 mm
\$25 each

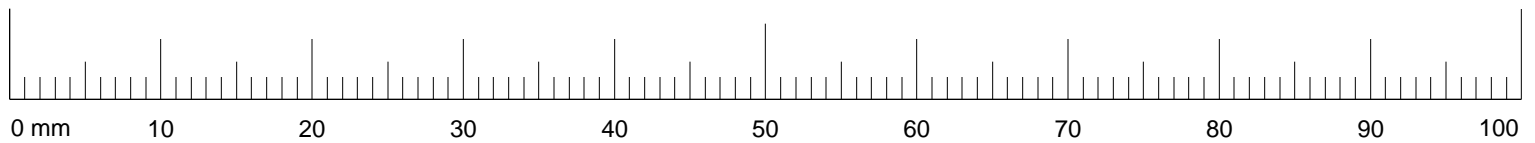


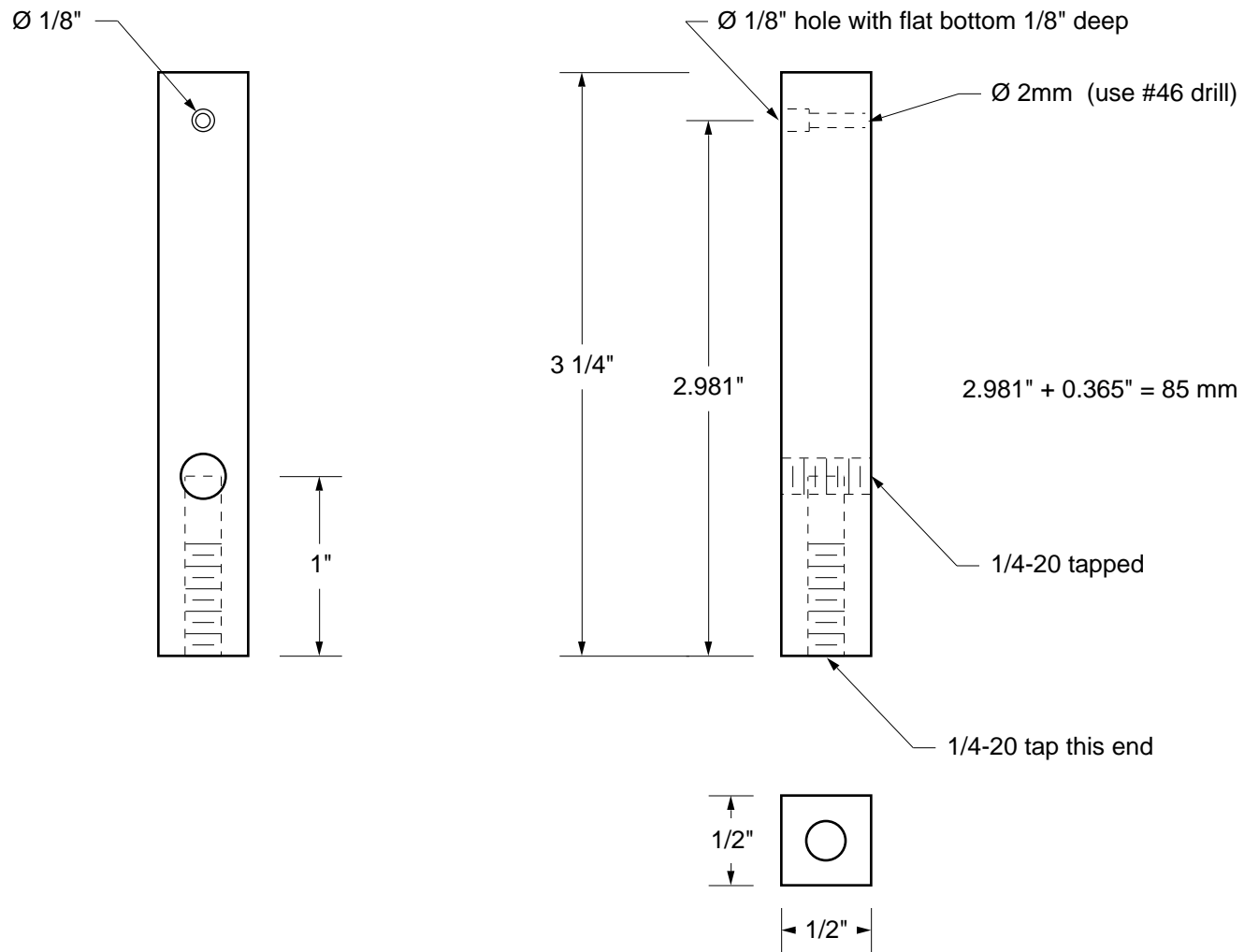
Scintillator holder (tiny)
Make 1 from Aluminum
twice full scale





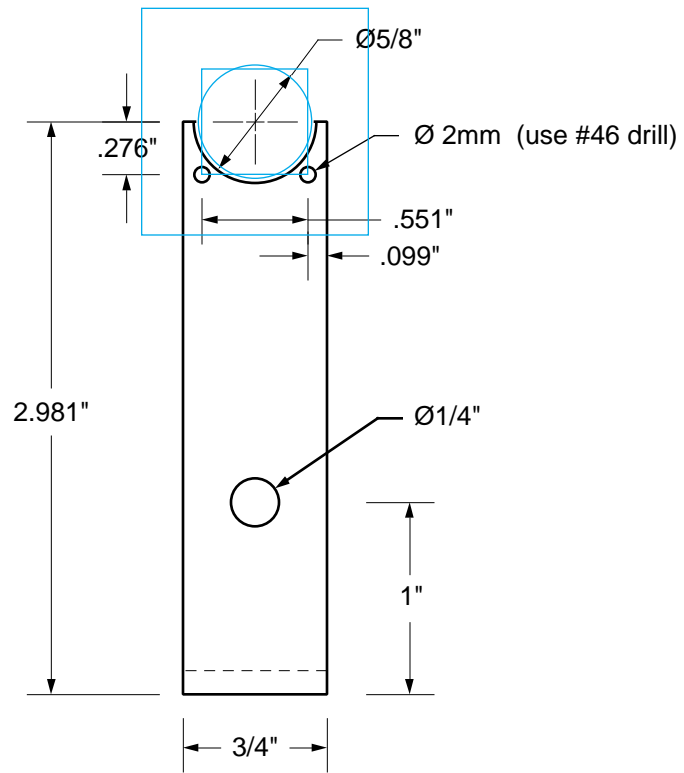
Scintillator holder (tiny)
 Make 1 from Aluminum
 twice full scale



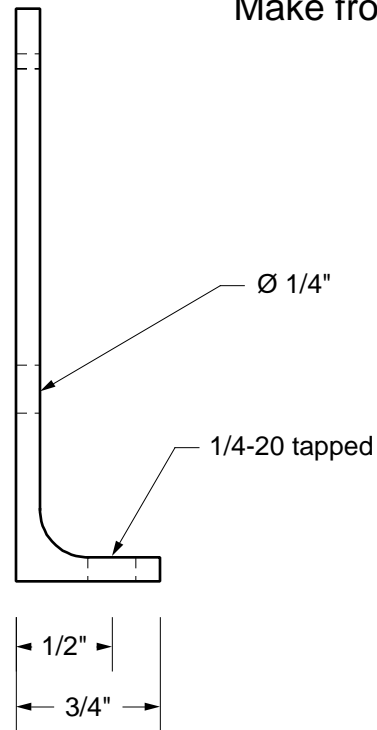


First type of CCD support post

tiny CCD support post side
full scale, aluminum



Make from a piece of aluminum channel



Second type of CCD support post

tiny CCD support post face
full scale, aluminum